



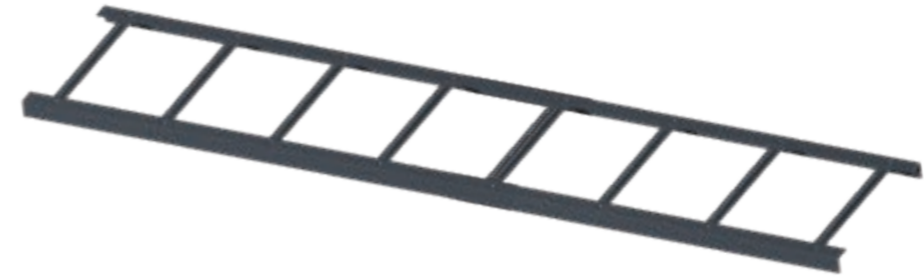
SNOW PROTECTION & ROOF SAFETY

WE
DEVELOP
ROOFING
IDEAS



› Snow protection

The snow protection system eliminates the phenomenon of excessive snow quantities sliding down from a roof slope. Mounting elements make the installation easier in case of any roof covering.



SNOWSTOPPER

- Snowstopping grate manufactured from galvanized steel, connections made in the TOX technology.
- Designed for use as a anti-snow protection element on sloping roofs. It also prevents against movements of mass quantities of snow.



1,0 m; 2,0 m; 3,0 m*



Galvanized*; RAL: 8004; 8017; 8019; 9005; 6020; 7016; 3009; 3004; 7024



2 pcs.



FIX UNI

- Adapter for a snowstopping grate. Made from galvanized steel, connection made in the TOX technology.
- Universal adapter which mounts a snowstopping grate to flat roof coverings of an angle ranging from 15 to 60 degrees.



Galvanized*; RAL: 8004; 8017; 8019; 9005; 6020; 7016; 3009; 3004; 7024



5 pcs.



FIX DB-DC

- Adapter for a snowstopping grate. Made from galvanized steel, connection made in the TOX technology.
- Adapter which mounts a snowstopping grate to roofs of an angle ranging from 15 to 60 degrees and covered with concrete or ceramic roof tiles.



Galvanized*; RAL: 8004; 8017; 8019; 9005; 6020; 7016; 3009; 3004; 7024



5 pcs.

SNOWSTOPPER

TOX – SYSTEM OF JOINING ELEMENTS

TOX is a modern cold joining elements technology. It is well known for, among others, the car industry. Due to the method, we are able to achieve joinings of the highest durability as well as aesthetics of production in comparison to traditional welding.



The TOX joinings has been introduced (is available) for:

- The Eurovent® SNOWSTOPPER snow-stopping grate
- The EUROVENT® FIX brackets of a snow-stopping grate
- The Eurovent® SNOWSTOPPER SET system of snow-stopping protection



FIX BIBER

- Adapter for a snowstopping grate. Made from galvanized steel, connection made in the TOX technology.
- Used as a mounting element of a snowstopping grate on sloping roofs covered with ceramic beaver-tail roof tiles laid in double-lap pattern.



Galvanized; RAL: 8004; 8017; 8019; 9005; 6020; 7016; 3009; 3004; 7024

5 pcs.



FIX METAL PANEL

- Adapter for a snowstopping grate. Made from galvanized steel, connection made in the TOX technology.
- Used as a mounting element of a snowstopping grate on sloping roofs covered with metal panel tiles of module 370/35 mm. Blachotrapez JANOSIK; Metro SHAKE II, Pruszyński REGLE, Novatik PREMIUM; HARNAŚ.



Galvanized; RAL: 8004; 8017; 8019; 9005; 6020; 7016; 3009; 3004; 7024

5 pcs.



› Application of a Eurovent® SNOWSTOPPER SET METAL 350

- | | | |
|---------------------------|-------------------|--------------|
| 1 Eurovent® SNOWSTOPPER | 3 Eurovent® SUPER | 5 Batten |
| 2 Eurovent® FIX METAL 400 | 4 Counter batten | 6 Roof cover |



FIX METAL 350

- Adapter for a snowstopping grate. Manufactured from galvanized steel, connection made in the TOX technology.
- Used as a mounting element of a snowstopping grate on sloping roofs covered with profiled metal roof tile of module 350/20 mm.



Galvanized; RAL: 8004; 8017; 8019; 9005; 6020; 7016; 3009; 3004; 7024

5 pcs.



FIX METAL 400

- Adapter for a snowstopping grate. Manufactured from galvanized steel, connection made in the TOX technology.
- Used as a mounting element of a snowstopping grate on sloping roofs covered with profiled metal roof tile of module 400/20 mm.



Galvanized; RAL: 8004; 8017; 8019; 9005; 6020; 7016; 3009; 3004; 7024

5 pcs.



FIX METAL FLAT

- Adapter for a snowstopping grate. Manufactured from galvanized steel, connection made in the TOX technology.
- Used as a mounting element of a snowstopping grate on sloping roofs covered with flat metal sheet finished with a standing seam.



Galvanized; RAL: 8004; 8017; 8019; 9005; 6020; 7016; 3009; 3004; 7024

5 pcs.



CLIP

- The clip for snow-stopping pipe made from galvanized steel.
- Used as an element for connecting several grates into a row in an easy and durable way.



60 mm Galvanized; RAL: 8004; 8017; 8019; 9005; 6020; 7016; 3009; 3004; 7024

50 pcs.



FIX METAL VENECJA

- Adapter for a snowstopping grate. Manufactured from galvanized steel, connection made in the TOX technology.
- Used as a mounting element of a snowstopping grate on sloping roofs covered with profiled metal roof tile of module VENECJA 350/35 mm.



Galvanized; RAL: 8004; 8017; 8019; 9005; 6020; 7016; 3009; 3004; 7024

5 pcs.



FIX METAL FINNERA

- Adapter for a snowstopping grate. Manufactured from galvanized steel, connection made in the TOX technology.
- Used as a mounting element of a snowstopping grate on sloping roofs covered with profiled metal roof tile of module FINNERA 330/30 mm.

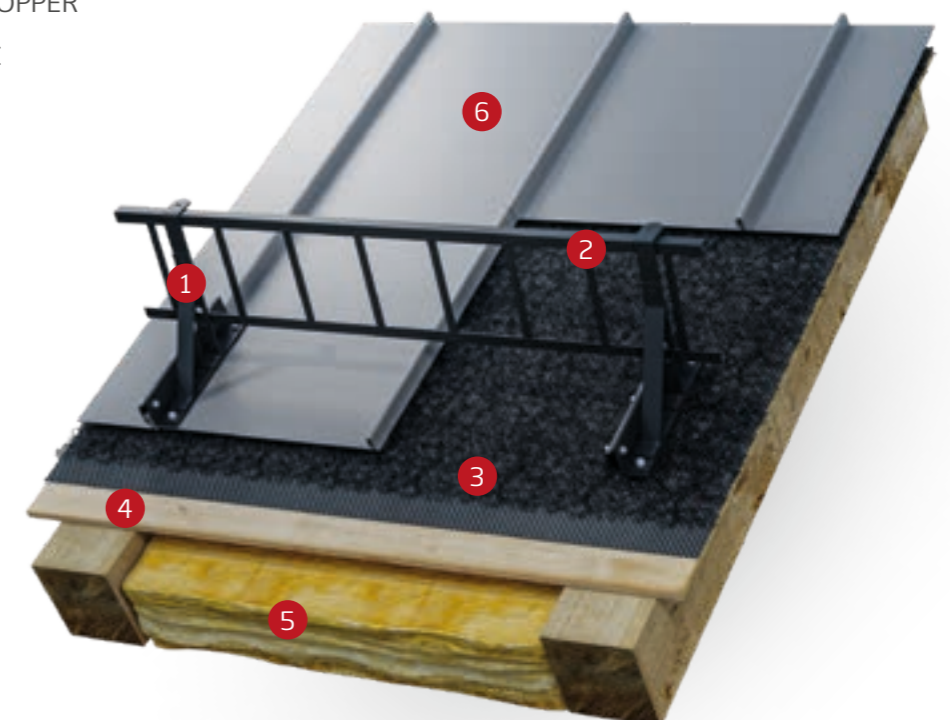


Galvanized; RAL: 8004; 8017; 8019; 9005; 6020; 7016; 3009; 3004; 7024

5 pcs.

› Eurovent® FIX METAL FLAT

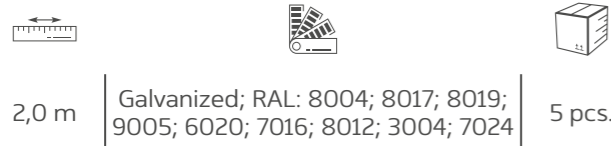
- 1 Eurovent® FIX METAL FLAT
- 2 Eurovent® SNOWSTOPPER
- 3 Eurovent® METALLIC
- 4 Sarking
- 5 Thermal insulation
- 6 Flat sheet metal





TUBE

- Snow-stopping pipe made from galvanized steel.
- Designed for use as a protection element protecting against movements of mass quantities of snow. Prevents gutter detachment
- Versions made from copper, aluminum or stainless steel available on order.



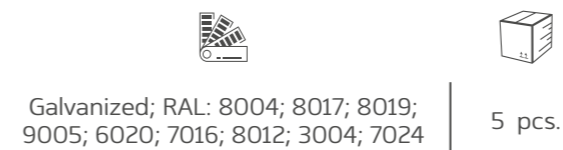
FIX TUBE UNI

- Adapter for a snow-stopping pipe, manufactured from galvanized steel.
- Universal fixing of a snow-stopping pipe to the roof covering. Mounted to flat roof slopes of an angle ranging from 15 to 60 degrees.



FIX TUBE BIBER

- Adapter for a snow-stopping pipe, manufactured from galvanized steel.
- A mounting element of a snow-stopping pipe to roof slopes of an angle ranging from 15 to 60 degrees, covered with ceramic roof tiles-beaver-tail roof tiles.



FIX TUBE METAL 350

- Adapter for a snow-stopping pipe, manufactured from galvanized steel.
- A mounting element of a snowstopping pipe on sloping roofs covered with profiled metal roof tile of module 350/20 mm.



FIX TUBE DB-DC SHORT

- Adapter for a snow-stopping pipe, manufactured from galvanized steel.
- A mounting element of a snow-stopping pipe to roof slopes of an angle ranging from 15 to 60 degrees, covered with cement or ceramic roof tiles, requiring over 10 pcs./sqm.



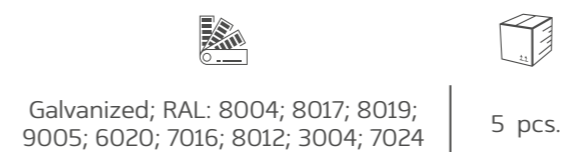
FIX TUBE DB-DC LONG

- Adapter for a snow-stopping pipe, manufactured from galvanized steel.
- A mounting element of a snow-stopping pipe to roof slopes of an angle ranging from 15 to 60 degrees, covered with cement or ceramic roof tiles, requiring less than 10 pcs./sqm.



FIX TUBE METAL FLAT

- Adapter for a snow-stopping pipe, manufactured from galvanized steel.
- Used as a mounting element of a snow-stopping pipe on sloping roofs covered with flat metal sheet finished with a standing seam.



FIX TUBE METAL 400

- Adapter for a snow-stopping pipe, manufactured from galvanized steel.
- A mounting element of a snowstopping pipe on sloping roofs covered with profiled metal roof tile of module 400/20 mm.





FIX TUBE METAL VENECJA

- Adapter for a snow-stopping pipe, manufactured from galvanized steel.
- A mounting element of a snowstopping pipe on sloping roofs covered with profiled metal roof tile of module VENECJA 350/35 mm.



Galvanized; RAL: 8004; 8017; 8019; 9005; 6020; 7016; 8012; 3004; 7024

5 pcs.



FIX TUBE METAL FINNERA

- Adapter for a snow-stopping pipe, manufactured from galvanized steel.
- A mounting element of a snowstopping pipe on sloping roofs covered with profiled metal roof tile of module FINNERA 330/30 mm.



Galvanized; RAL: 8004; 8017; 8019; 9005; 6020; 7016; 8012; 3004; 7024

5 pcs.



END TUBE

- The end of snow-stopping pipes made of plastic.
- Designed for sealing the snow-stopping pipes at their ends.



RAL: 9005

10 pcs.



CLIP TUBE

- Clip for snow-stopping pipe made from plastic.
- Used as an element enabling efficient connection of two snow-stopping pipes into a line.



RAL: 9005

10 pcs.



FIX TUBE METAL JANOSIK

- Adapter for a snow-stopping pipe, manufactured from galvanized steel.
- A mounting element of a snowstopping pipe on sloping roofs covered with profiled metal roof tile of module JANOSIK 380/35 mm.



Galvanized; RAL: 8004; 8017; 8019; 9005; 6020; 7016; 8012; 3004; 7024

5 pcs.



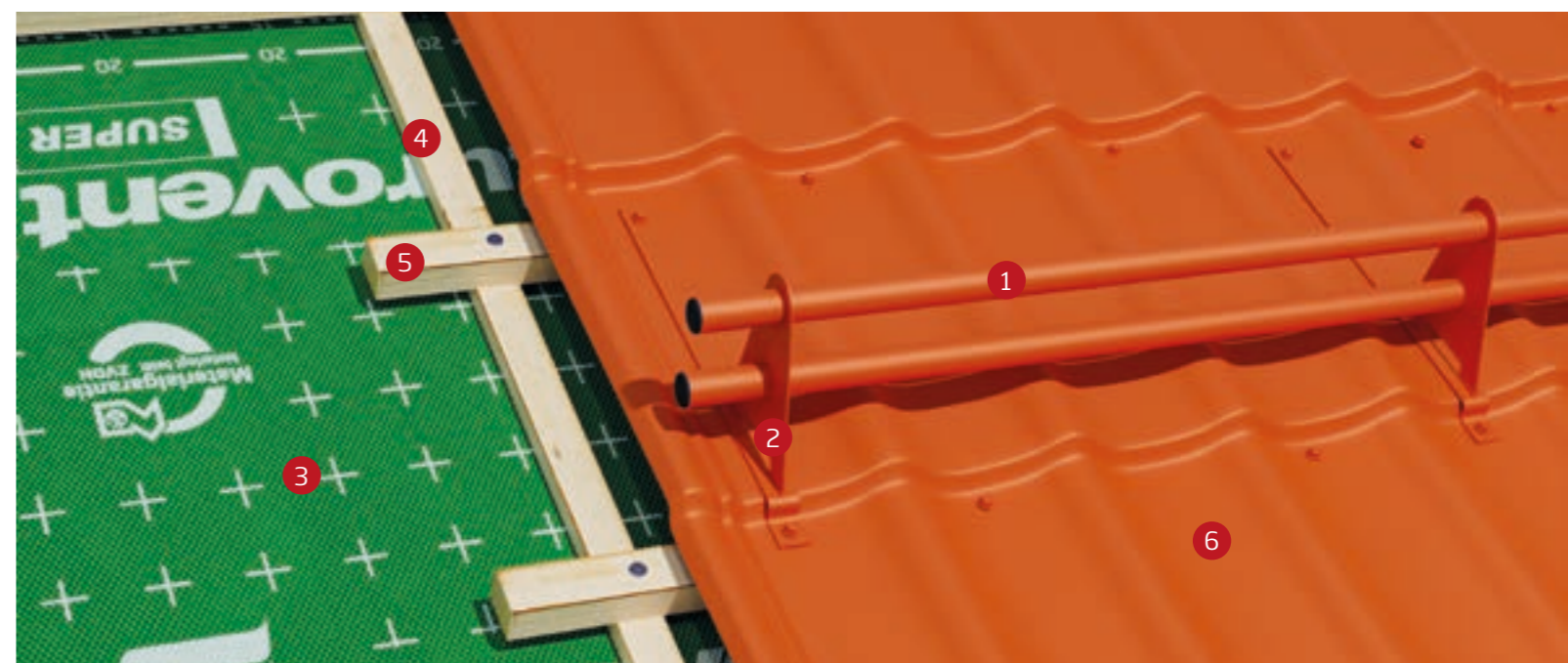
FIX TUBE METAL GERMANIA

- Adapter for a snow-stopping pipe, manufactured from galvanized steel.
- A mounting element of a snowstopping pipe on sloping roofs covered with profiled metal roof tile of module GERMANIA SIMETRIC 350/30 mm.



Galvanized; RAL: 8004; 8017; 8019; 9005; 6020; 7016; 8012; 3004; 7024

5 pcs.



› Application of a Eurovent® TUBE SET METAL 400

- | | | |
|--------------------------------|-------------------|--------------|
| 1 Eurovent® TUBE | 3 Eurovent® SUPER | 5 Batten |
| 2 Eurovent® FIX TUBE METAL 400 | 4 Counter batten | 6 Roof cover |



BLOCK UNI

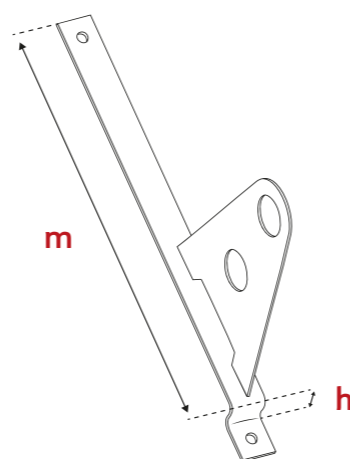
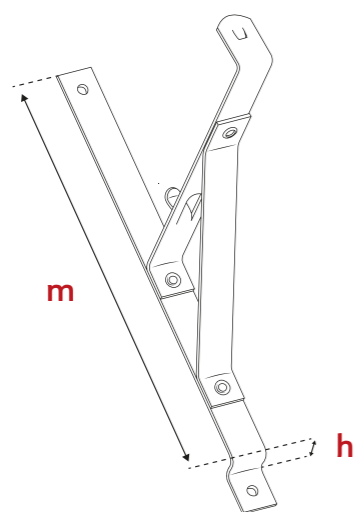
- Grip for snow-stopping log manufactured from galvanized steel.
- A mounting element enabling efficient installation for timber snow-stopping logs on sloping roofs of an angle ranging from 15 to 60 degrees.



Galvanized; RAL: 8004; 8017; 8019; 9005; 6020; 7016; 3009; 3004; 7024

10 pcs.

EUROVENT® FIX METAL, EUROVENT® FIX TUBE METAL - TECHNICAL DATA



FIX	Module length „m“ [mm]	Embossing height „h“ [mm]
FIX METAL 350 FIX TUBE METAL 350	350	20
FIX METAL 400 FIX TUBE METAL 400	400	20
FIX METAL FINNERA FIX TUBE METAL FINNERA	330	30
FIX METAL VENECJA FIX TUBE METAL VENECJA	350	35
FIX METAL PANEL FIX TUBE METAL JANOSIK	370 380	35
FIX TUBE METAL GERMANIA	350	30

METAL ROOFS - PRODUCERS LIST

Metal roof tiles types	Module	Producer	FIX METAL	FIX TUBE METAL
A Adamante	350	Ruukki	FIX METAL VENECJA	FIX TUBE METAL VENECJA
Allano	350	Bratex	FIX METAL VENECJA	FIX TUBE METAL VENECJA
Amalfi Plus	350	Blachdom Plus	FIX METAL VENECJA	FIX TUBE METAL VENECJA
B Bella Sara	350	Budmat	FIX METAL VENECJA	FIX TUBE METAL VENECJA
Bona Plus	350	Blachdom Plus	FIX METAL 350	FIX TUBE METAL 350
Bona Plus	400	Blachdom Plus	FIX METAL 400	FIX TUBE METAL 400
C Centro	350	Bratex	FIX METAL VENECJA	FIX TUBE METAL VENECJA
D Diament Eco Plus	350	Blachotrapez	FIX METAL 350	FIX TUBE METAL 350
Diament Eco Plus	400	Blachotrapez	FIX METAL 400	FIX TUBE METAL 400
F Finezja Max	350	Florian	FIX METAL VENECJA	FIX TUBE METAL VENECJA
Finnera	330	Ruukki	FIX METAL FINNERA	FIX TUBE METAL FINNERA
Florina	400	Florian	FIX METAL 400	FIX TUBE METAL 400
Frigge	350	Ruukki	FIX METAL VENECJA	FIX TUBE METAL VENECJA
G Germania Simetric	350	Blachotrapez	FIX METAL GERMANIA	FIX TUBE METAL GERMANIA
Gryf	350	Pruszyński	FIX METAL VENECJA	FIX TUBE METAL VENECJA
I Imperia Plus	350	Blachdom Plus	FIX METAL 350	FIX TUBE METAL 350
Imperia Plus	400	Blachdom Plus	FIX METAL 400	FIX TUBE METAL 400
J Janosik	380	Blachotrapez	FIX METAL PANEL	FIX TUBE METAL JANOSIK
K Kinga	350	Florian	FIX METAL 350	FIX TUBE METAL 350
Kinga	400	Florian	FIX METAL 400	FIX TUBE METAL 400
Kingas	350	Blachotrapez	FIX METAL 350	FIX TUBE METAL 350
Kingas	400	Blachotrapez	FIX METAL 400	FIX TUBE METAL 400
Kingas 15	350	Blachotrapez	FIX METAL 350	FIX TUBE METAL 350
Kingas 15	400	Blachotrapez	FIX METAL 400	FIX TUBE METAL 400
Kingas Eco Plus	350	Blachotrapez	FIX METAL 350	FIX TUBE METAL 350
Klara	350	Florian	FIX METAL 350	FIX TUBE METAL 350
Korona Plus	350	Blachdom Plus	FIX METAL 350	FIX TUBE METAL 350
Korona Plus	400	Blachdom Plus	FIX METAL 400	FIX TUBE METAL 400
L Lidia Max	350	Florian	FIX METAL VENECJA	FIX TUBE METAL VENECJA
Loara	350	Pruszyński	FIX METAL VENECJA	FIX TUBE METAL VENECJA
M Maja Max	350	Florian	FIX METAL VENECJA	FIX TUBE METAL VENECJA
Monterrey Feb Forma	350	Ruukki	FIX METAL VENECJA	FIX TUBE METAL VENECJA
Murano	350	Budmat	FIX METAL VENECJA	FIX TUBE METAL VENECJA
Mustang	350	Blachpol	FIX METAL VENECJA	FIX TUBE METAL VENECJA
O Optima Arad	350	Pruszyński	FIX METAL VENECJA	FIX TUBE METAL VENECJA

METAL ROOFS

- PRODUCERS LIST

Metal roof tiles types	Module	Producer	FIX METAL	FIX TUBE METAL
P Perła Plus	350	Blachdom Plus	FIX METAL 350	FIX TUBE METAL 350
	400	Blachdom Plus	FIX METAL 400	FIX TUBE METAL 400
	350	Bratex	FIX METAL 350	FIX TUBE METAL 350
R Rialto	350	Budmat	FIX METAL VENECJA	FIX TUBE METAL VENECJA
	350	Florian	FIX METAL VENECJA	FIX TUBE METAL VENECJA
	350	Florian	FIX METAL 350	FIX TUBE METAL 350
	400	Florian	FIX METAL 400	FIX TUBE METAL 400
	350	Pruszyński	FIX METAL 350	FIX TUBE METAL 350
	400	Pruszyński	FIX METAL 400	FIX TUBE METAL 400
S Sofia	350	Florian	FIX METAL 350	FIX TUBE METAL 350
	400	Florian	FIX METAL 400	FIX TUBE METAL 400
	350	Pruszyński	FIX METAL 350	FIX TUBE METAL 350
	400	Pruszyński	FIX METAL 400	FIX TUBE METAL 400
T Talia	350	Blachotrapez	FIX METAL VENECJA	FIX TUBE METAL VENECJA
	350	Florian	FIX METAL VENECJA	FIX TUBE METAL VENECJA
	350	Blachodach	FIX METAL 350	FIX TUBE METAL 350
V Vello	350	Bratex	FIX METAL VENECJA	FIX TUBE METAL VENECJA
	350	Budmat	FIX METAL VENECJA	FIX TUBE METAL VENECJA



Snow Zones

In accordance with the regulations included in the Polish Standard PN-EN 1991-1-3, owners of buildings are obliged to ensure security to the buildings users, as well as to outsiders as far as the snow sliding down from roof slopes is concerned. The aforementioned standard precisely states the rules and the number of protecting elements which are supposed to be installed on a roof slope.



Snow-stopping grates and logs

The position of snow-stopping grates and logs brackets for particular zones:



Two rows of snow-stopping grates are recommended to be positioned in case of roofs which slope length is bigger than 6,5 m.

For roofs which angle is bigger than 40° and the slope length bigger than 8 m, two rows of snow breakers are recommended to be installed.

Snowstop – snow breaker

Snowstops are an alternative solution in terms of snow protection for snow-stopping grates and logs. In order to make their work effective, it is recommended to dispose them on the entire roof slope surface, while their disposal and quantity depend on a roof angle and the snow zone in which a particular building is located. The table presented below shows a precise number of snowstops for 1 m² of a roof slope in dependence on an angle and the load value of snow on the roof.

The formula for calculation of roof loading with snow is applied when the value (s) is not provided in a construction project.

$$S = Q_K \cdot C \cdot Y_1 \text{ [kN/m}^2\text{]}$$

Where:

Q_K – Load value of snow on the ground:

- zone 1 0,7 kN/m²
- zone 2 0,9 kN/m²
- zone 3 1,2 kN/m²
- zone 4 1,6 kN/m²
- zone 5 ≥ 2,0 kN/m²

Y_1 – factor of safety = 1,5

C – factor of the roof shape

The formula for calculation of a factor of the roof shape (C).

1. Pent roof and gable roof:

$$C_1(\alpha) = \begin{cases} 0,8 \\ 0,8 \left(\frac{60 - \alpha}{30} \right) \\ 0,0 \end{cases}$$

2. Gable roof for zones of bigger load or zones 4 and 5:

$$C_2(\alpha) = \begin{cases} 0,8 \\ 0,8 + 0,4 \left(\frac{\alpha - 15}{15} \right) \\ 1,2 \left(\frac{60 - \alpha}{30} \right) \\ 0,0 \end{cases}$$

1. roof angle:

- $\alpha \leq 30^\circ$
- $30^\circ < \alpha \leq 60^\circ$
- $\alpha > 60^\circ$

2. roof angle:

- $\alpha \leq 15^\circ$
- $15^\circ < \alpha \leq 30^\circ$
- $30^\circ < \alpha \leq 60^\circ$
- $\alpha > 60^\circ$

Number of snowstops (pieces/m²)

		load value of snow on the roof S (kN/m ²).										
		S ≤ 1,00	2,00	3,00	4,00	5,00	6,00	7,00	8,00	9,00	10,00	12,00
roof slope angle	20°	2,0	2,1	2,1	2,2	2,2	2,5	2,8	3,3	3,5	3,8	4,6
	25°	2,1	2,2	2,2	2,3	2,5	2,7	3,1	3,5	4,0	4,4	5,2
	30°	2,1	2,2	2,2	2,4	2,8	3,2	3,8	4,2	4,6	4,9	5,5
	35°	2,2	2,3	2,3	2,5	2,9	3,3	3,9	4,4	4,6	5,2	6,2
	40°	2,3	2,4	2,4	2,6	3,0	3,4	4,2	4,5	5,0	5,3	6,8
	45°	2,5	2,6	2,7	2,8	3,1	3,6	4,4	4,9	5,2	5,5	7,0
	50°	3,1	3,3	3,6	4,0	4,3	4,7	5,2	5,6	5,9	6,1	7,1
	55°	3,2	3,4	3,7	4,1	4,4	4,8	5,4	5,8	6,0	6,3	7,2
	60°	3,3	3,8	4,2	4,4	4,7	5,1	5,4	6,0	6,4	6,8	7,4

SNOWSTOP

Snowstops used as an element breaking mass quantities of snow sliding down from roof slopes to the eaves area. Made from galvanized steel, lacquered with a polyester paint. Available in a dozen of models dedicated for different types of roof coverings.



8004; 8019; 8017;
9005; 7016; 8012*



100 pcs.



3 000 pcs.



UNI
for flat roof coverings
Models SHORT, LONG



DB
BRAAS, IBF, EURONIT,
JOPEK – BEAVER-TILE,
NELSKAMP, KORAMIC,
CREATON VIVA, RUPP TOPAS



DC-1
TONDACH HRANICE 11,
CREATON MZ23, KORAMIC 32,
RÖBEN MONZA PLUS,
RUPP TARMAUTE



DC-2
TONDACH ROMAŃSKA 12,
CREATON HARMONIA NEU,
BRAAS / RUPP SIRIUS 13,
KORAMIC E80, JAKOBI D10,
RÖBEN FLEMING, RÖBEN
BORNHOLM
Models: SHORT; LONG



DC-3
TONDACH: FRANCUSKA 12,
FALCOVKA, MARSYLKA 12,
RUPP RUBIN, CREATON:
DOMINO, RATIO NEU,
PIATTA, BRAAS ARMER 12V,
KORAMIC ALEGRA 89,
BOGEN INNOVO 12



DC-4
TONDACH: FRANCUSKA 14,
MARSYLKA 14



METAL
metal roof covering



DC-5
TONDACH ROMAŃSKA L15,
CREATON FUTURA



DC-6
TONDACH STODO,
JIRCANKA



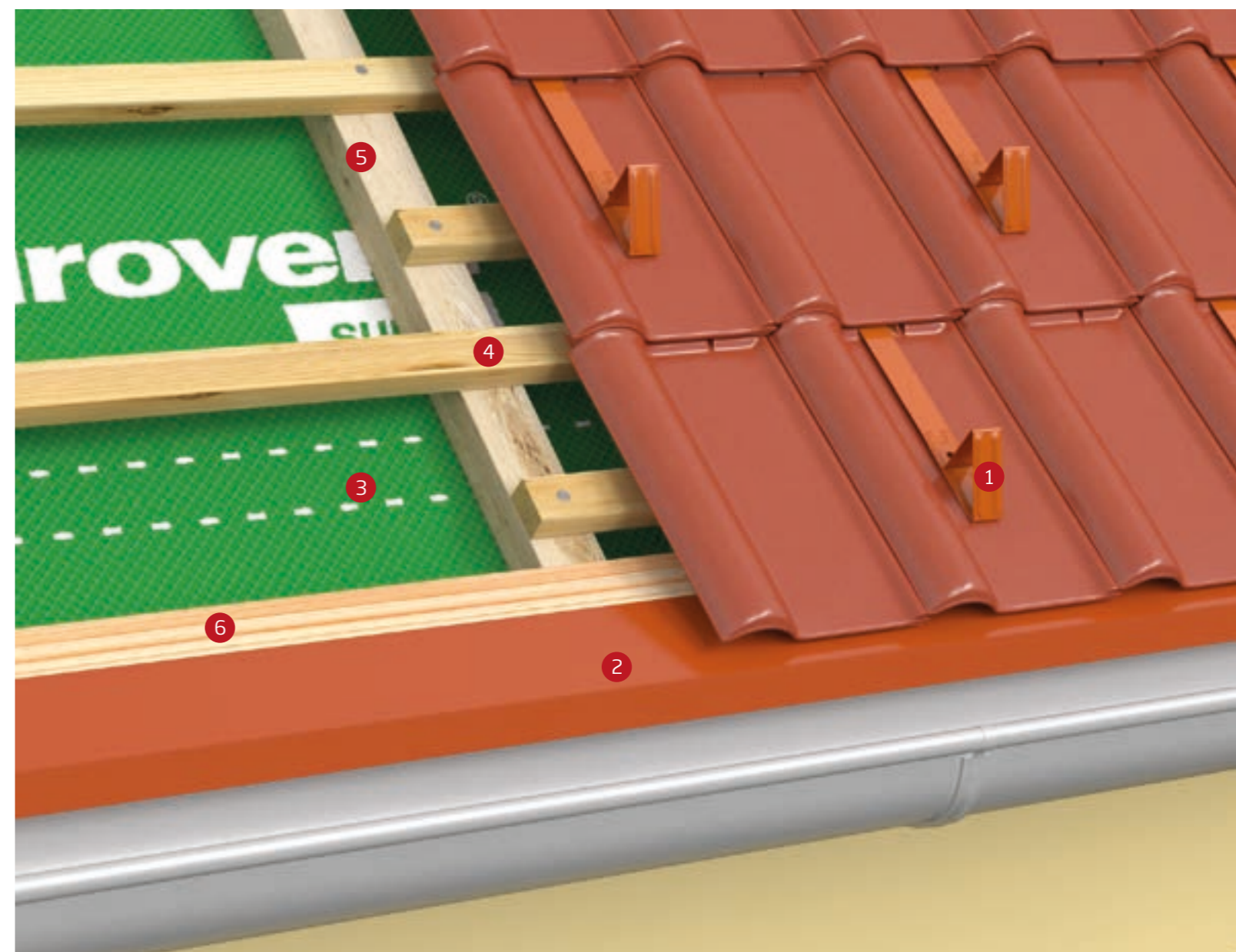
DC-7
CREATON: PREMION



DC-8
CREATON HARMONICA



DC-9
CREATON BALANCE



› Application of a snow-breaker Eurovent® SNOWSTOP

- 1 Eurovent® SNOWSTOP
- 2 Eurovent® EAVES PLANK
- 3 Eurovent® SUPER
- 4 Counter batten
- 5 Batten
- 6 Eaves board

* on order



SNOWSTOPPER SET

The system of snow-stopping protection, set from a snow-stopping grate SNOWSTOPPER, adapters FIX and clips CLIP. Constitutes efficient protection against snow movements down from roof slopes of an angle ranging from 15 to 60 degrees.

	1,0 m; 2,0 m; 3,0 m
	Galvanized; RAL: 8004; 8017; 8019; 6020; 9005; 7016; 3009; 7024; 3004
	1 set
	12 sets



BIBER
for beaver tile-roof tiles.

DB-DC
for cement and ceramic roof tiles.

METAL FLAT
for flat metal coverings finished with a standing seam.



UNI
for flat roof coverings flat coverings, e.g. bituminous shingles.



METAL PANEL
for panel metal sheet of module 370/35 mm. Metro SHAKE II, Pruszyński REGLE, Novatik PREMIUM, Novatik HARNAŚ, Blachotrapez JANOSIK.



METAL 350
for profiled metal roof tile of module 350/20 mm.



METAL 400,
for profiled metal roof tile of module 400/20 mm.



METAL FINNERA
for profiled metal roof tile of module FINNERA 330/30 mm.



METAL VENECA
for profiled metal roof tile of module VENECA 350/35 mm.

› Eurovent® SNOWSTOPPER SET DB-DC

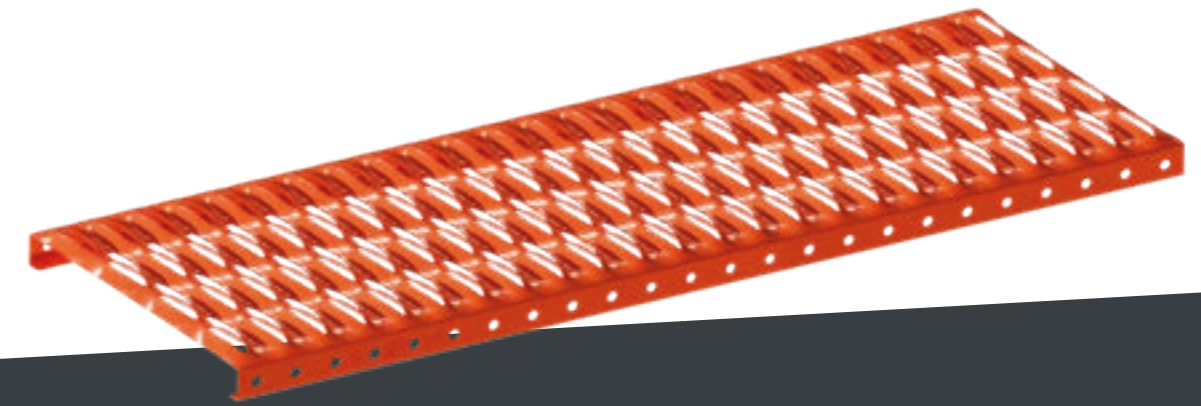
- 1 Eurovent® FIX DB-DC
- 2 Eurovent® SNOWSTOPPER
- 3 Eurovent® XSTRONG
- 4 Eurovent® PUR
- 5 Additional batten
- 6 Thermal insulation
- 7 Roof tile





› Roof safety

The roof traffic system guarantees safe traffic in the roof area and enables easy chimney works. The offered brackets make the installation possible on every kind of roof covering.



PLATFORM

- Chimney bench manufactured from galvanized steel.
- Used as a roof communication element to enable safe foot traffic on the roof slope in the chimney area. The product features anti-slip corrugations.
- Mounted on the roof covering in conjunction with the GRIP bracket and the SUPPORT adapter.



0,4 m; 0,6 m; 0,8 m;
1,0 m; 2,0 m; 3,0 m*



Galvanized; RAL: 8004;
8017; 8019; 9005; 6020;
7016; 8012; 3004; 7024



4 pcs.



STEP

- Chimney Step made from galvanized steel.
- Used as a roof communication element to enable safe foot traffic on the roof slope.
- Mounted on the roof covering in conjunction with the SUPPORT adapter.



140 mm
x 256 mm



Galvanized; RAL: 8004; 8017; 8019;
9005; 6020; 7016; 8012; 3004; 7024



10 pcs.



GRIP

- Universal grip made from galvanized steel.
- An element that enables connecting a chimney bench with an adapter mounted directly on the roof covering.



Galvanized; RAL: 8004; 8017; 8019;
9005; 6020; 7016; 8012; 3004; 7024



10 pcs.



SUPPORT UNI

- One-piece adapter of a chimney bench bracket made from galvanized steel.
- An element that enables connecting a chimney bench bracket or a chimney step bracket on flat roof coverings.



Galvanized; RAL: 8004; 8017; 8019; 9005; 6020; 7016; 3009; 3004; 7024

10 pcs.



SUPPORT DB-DC WEST

- One-piece adapter made from galvanized steel with additional EPDM sealing.
- An element that enables connecting a chimney bench bracket or a chimney step bracket on roofs covered with cement or ceramic roof tiles.



Galvanized; RAL: 8004; 8017; 8019; 9005; 6020; 7016; 3009; 3004; 7024

10 pcs.



SUPPORT DB-DC SHORT

- One-piece adapter of a chimney bench made from galvanized steel with additional PUR sealing.
- An element that enables connecting a chimney bench bracket or a chimney step bracket on profiled roofs covered with cement or ceramic roof tiles.



Galvanized; RAL: 8004; 8017; 8019; 9005; 6020; 7016; 3009; 3004; 7024

10 pcs.



SUPPORT DB-DC LONG

- One-piece adapter of a chimney bench made from galvanized steel with additional PUR sealing.
- An element that enables connecting a chimney bench bracket or a chimney step bracket on profiled roofs covered with cement or ceramic roof tiles.

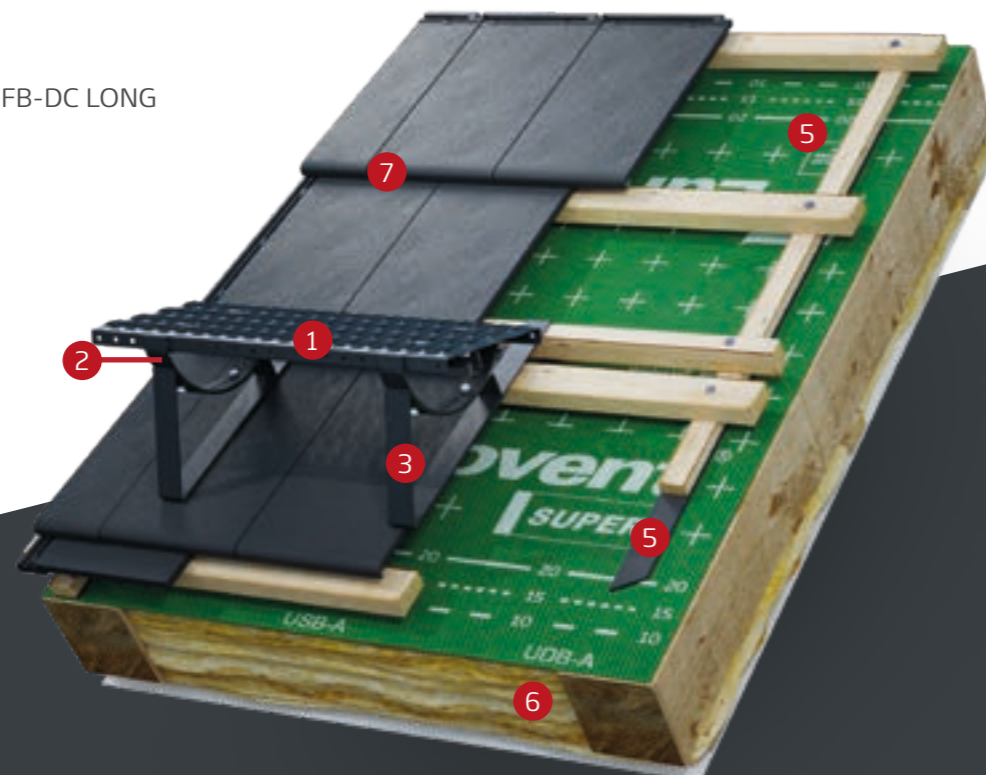


Galvanized; RAL: 8004; 8017; 8019; 9005; 6020; 7016; 3009; 3004; 7024

10 pcs.

› Eurovent® PLATFORM SET DB-DC – Ceramic roof tile

- 1 Eurovent® PLATFORM
- 2 Eurovent® GRIP
- 3 Eurovent® SUPPORT FB-DC LONG
- 4 Eurovent® SUPER
- 5 Eurovent® PUR
- 6 Thermal insulation
- 7 Roof tile



SUPPORT BIBER WEST

- One-piece adapter made from galvanized steel with an additional PUR sealing.
- An element that enables connecting a chimney bench bracket or a chimney step bracket on roofs covered with flat ceramic roof tiles, called as beaver-tiles



Galvanized; RAL: 8004; 8017; 8019; 9005; 6020; 7016; 8012; 3004; 7024

10 pcs.



SUPPORT METAL DECRA

- One-piece adapter of a chimney bench made from galvanized steel.
- An element that enables installation of a chimney bench or a step on the roofs covered with metal sheets of module DECRA 350/20 mm; DECRA 350/30 mm; DECRA 350/35 mm.



Ocynk; RAL: 8004; 8017; 8019; 9005; 6020; 7016; 8012; 3004; 7024

10 pcs.



SUPPORT METAL 350

- The adapter of a chimney bench bracket, made from galvanized steel.
- An element that enables installation of a chimney bench or a step on the roofs covered with profiled metal sheets of module 350/20 mm.



Galvanized; RAL: 8004; 8017; 8019;
9005; 6020; 7016; 8012; 3004; 7024

10 pcs.



SUPPORT METAL 400

- The adapter of a chimney bench bracket, made from galvanized steel.
- An element that enables installation of a chimney bench or a step on the roofs covered with profiled metal sheets of module 400/20 mm.



Galvanized; RAL: 8004; 8017; 8019;
9005; 6020; 7016; 8012; 3004; 7024

10 pcs.



SUPPORT METAL JANOSIK

- The adapter of a chimney bench bracket, made from galvanized steel.
- An element that enables installation of a chimney bench or a step on the roofs covered with profiled metal sheets of modules JANOSIK 380/35 mm. Blachotrapez JANOSIK.



Galvanized; RAL: 8004; 8017; 8019;
9005; 6020; 7016; 8012; 3004; 7024

10 pcs.



SUPPORT METAL GERMANIA

- The adapter of a chimney bench bracket, made from galvanized steel.
- An element that enables installation of a chimney bench or a step on the roofs covered with profiled metal sheets of modules GERMANIA SIMETRIC 350/30 mm.



Galvanized; RAL: 8004; 8017; 8019;
9005; 6020; 7016; 8012; 3004; 7024

10 pcs.



SUPPORT METAL VENECJA

- The adapter of a chimney bench bracket, made from galvanized steel.
- An element that enables installation of a chimney bench or a step on the roofs covered with profiled metal sheets of modules VENECJA 350/35 mm.



Galvanized; RAL: 8004; 8017; 8019;
9005; 6020; 7016; 8012; 3004; 7024

10 pcs.



SUPPORT METAL FINNERA

- The adapter of a chimney bench bracket, made from galvanized steel.
- An element that enables installation of a chimney bench or a step on the roofs covered with profiled metal sheets of modules FINNERA 330/30 mm.



Galvanized; RAL: 8004; 8017; 8019;
9005; 6020; 7016; 8012; 3004; 7024

10 pcs.



SUPPORT METAL FLAT

- Three-pieces adapter of a chimney bench bracket, made from galvanized steel.
- An element that enables installation of a chimney bench or a step on the roofs covered with a flat sheet, finished on a standing seam.



Galvanized; RAL: 8004; 8017; 8019;
9005; 6020; 7016; 8012; 3004; 7024

5 pcs.



LINK

- Roof platform link manufactured from galvanized steel.
- Used as a roof communication element which enables connecting chimney platforms into a row.
- Offered in a set with mounting screws.



180 mm Galvanized; RAL: 8004; 8017; 8019;
9005; 6020; 7016; 8012; 3004; 7024

10 pcs.



VISTA DUO

- Roof exit made of impregnated pine wood with combined double glass 15 mm thick, set in an aluminum profile.
- Equipped with two opening options.
- Suitable for non-insulated attics and roofs of an angle ranging from 15 to 60 degrees.



45 cm x 55 cm
45 cm x 73 cm
48 cm x 90 cm



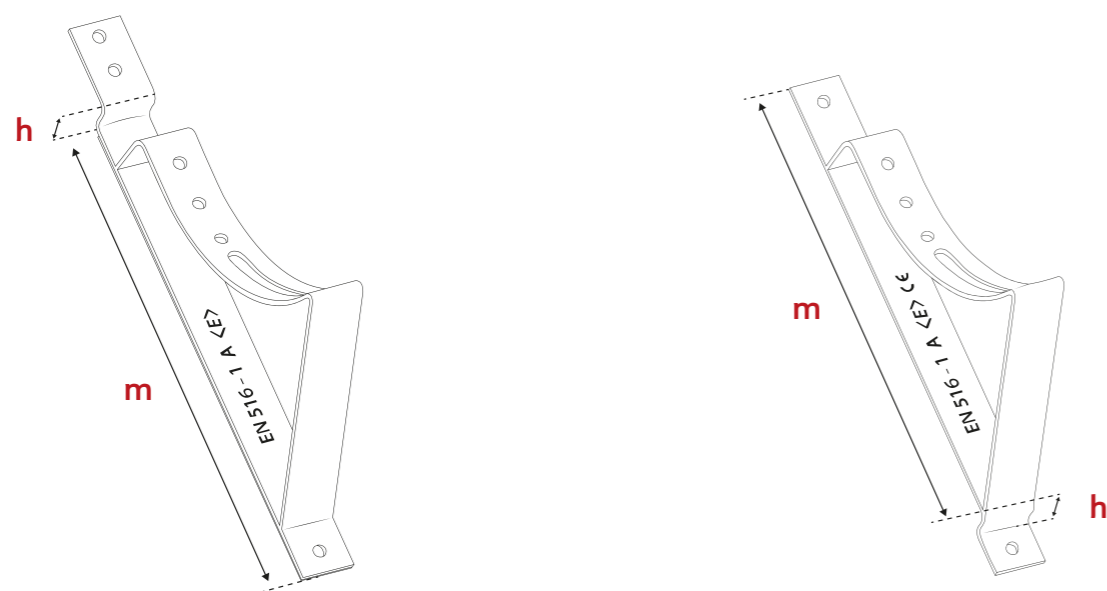
RAL: 7043



others: 11 pcs.
48 cm x 90 cm: 10 pcs.

EUROVENT® FIX METAL, EUROVENT® FIX TUBE METAL

- TECHNICAL DATA



Support	Module length „m” [mm]	Embossing height „h” [mm]
SUPPORT METAL 350	350	20
SUPPORT METAL 400	400	20
SUPPORT METAL FINNERA	330	30
SUPPORT METAL VENECJA	350	35
SUPPORT METAL DECRA	350	20 / 30 / 35
SUPPORT METAL JANOSIK	380	35
SUPPORT METAL GERMANIA	350	30

METAL ROOFS

- PRODUCERS LIST

Metal roof tiles types	Module	Producer	SUPPORT METAL
A Adamante	350	Ruukki	SUPPORT METAL VENECJA
Allano	350	Bratex	SUPPORT METAL VENECJA
Amalfi Plus	350	Blachdom Plus	SUPPORT METAL VENECJA
B Bella Sara	350	Budmat	SUPPORT METAL VENECJA
Bona Plus	350	Blachdom Plus	SUPPORT METAL 350
Bona Plus	400	Blachdom Plus	SUPPORT METAL 400
C Centro	350	Bratex	SUPPORT METAL VENECJA
D Diament Eco Plus	350	Blachotrapez	SUPPORT METAL 350
Diament Eco Plus	400	Blachotrapez	SUPPORT METAL 400
F Finezja Max	350	Florian	SUPPORT METAL VENECJA
Finnera	330	Ruukki	SUPPORT METAL FINNERA
Florina	400	Florian	SUPPORT METAL 400
Frigge	350	Ruukki	SUPPORT METAL VENECJA
G Germania Simetric	350	Blachotrapez	SUPPORT METAL GERMANIA
Gryf	350	Pruszyński	SUPPORT METAL VENECJA
I Imperia Plus	350	Blachdom Plus	SUPPORT METAL 350
Imperia Plus	400	Blachdom Plus	SUPPORT METAL 400
J Janosik	380	Blachotrapez	SUPPORT METAL JANOSIK
K Kinga	350	Florian	SUPPORT METAL 350
Kinga	400	Florian	SUPPORT METAL 400
Kingas	350	Blachotrapez	SUPPORT METAL 350
Kingas	400	Blachotrapez	SUPPORT METAL 400
Kingas 15	350	Blachotrapez	SUPPORT METAL 350
Kingas 15	400	Blachotrapez	SUPPORT METAL 400
Kingas Eco Plus	350	Blachotrapez	SUPPORT METAL 350
Klara	350	Florian	SUPPORT METAL 350
Korona Plus	350	Blachdom Plus	SUPPORT METAL 350
Korona Plus	400	Blachdom Plus	SUPPORT METAL 400
L Lidia Max	350	Florian	SUPPORT METAL VENECJA
Loara	350	Pruszyński	SUPPORT METAL VENECJA
M Maja Max	350	Florian	SUPPORT METAL VENECJA
Monterrey Feb Forma	350	Ruukki	SUPPORT METAL VENECJA
Murano	350	Budmat	SUPPORT METAL VENECJA
Mustang	350	Blachpol	SUPPORT METAL VENECJA
O Optima Arad	350	Pruszyński	SUPPORT METAL VENECJA

METAL ROOFS - PRODUCERS LIST

Metal roof tiles types	Module	Producer	SUPPORT METAL
P Perła Plus	350	Blachdom Plus	SUPPORT METAL 350
	400	Blachdom Plus	SUPPORT METAL 400
	350	Bratex	SUPPORT METAL 350
R Rialto	350	Budmat	SUPPORT METAL VENECJA
	350	Florian	SUPPORT METAL VENECJA
	350	Florian	SUPPORT METAL 350
	400	Florian	SUPPORT METAL 400
	350	Pruszyński	SUPPORT METAL 350
	400	Pruszyński	SUPPORT METAL 400
S Sofia	350	Florian	SUPPORT METAL 350
	400	Florian	SUPPORT METAL 400
	350	Pruszyński	SUPPORT METAL 350
	400	Pruszyński	SUPPORT METAL 400
T Talia	350	Blachotrapez	SUPPORT METAL VENECJA
	350	Florian	SUPPORT METAL VENECJA
	350	Blachodach	SUPPORT METAL 350
V Vello	350	Bratex	SUPPORT METAL VENECJA
	350	Budmat	SUPPORT METAL VENECJA



PLATFORM SET

Chimney platform in a complete assembly set consisting of two adapters SUPPORT, two GRIP adapters, mounting screws and a one chimney bench PLATFORM. The elements made of galvanized steel form a complete system for safe traffic on the roof slope with an angle of 15° to 60°.



0,4 m; 0,8 m



RAL: 8004; 8017; 8019;
9005; 7016; 8012; 3004



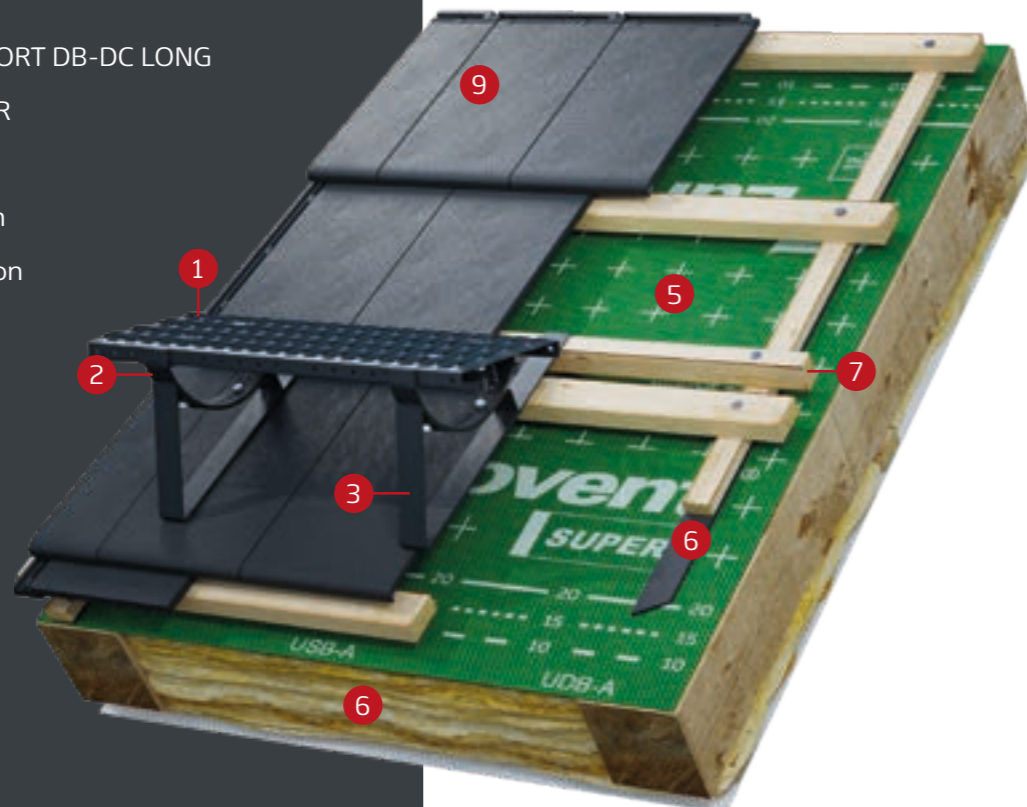
1 set (2 x SUPPORT,
2 x GRIP, 1 x PLATFORM)



0,4 m: 60 sets
0,8 m: 40 sets

› Eurovent® PLATFORM SET DB-DC – Ceramic roof tile

- 1 Eurovent® PLATFORM
- 3 Eurovent® GRIP
- 4 Eurovent® SUPPORT DB-DC LONG
- 5 Eurovent® SUPER
- 6 Eurovent® PUR
- 7 Additional batten
- 8 Thermal insulation
- 9 Roof tile



UNI

for flat roof coverings,
e.g. bituminous shingle.



METAL FLAT

for metal flat roofs coverings
finished on a standing seam.



DB-DC SHORT

for interlocking roof tiles requiring over
10 pcs./sqm and beaver-tail roof tiles
laid in double-lap pattern.



DB-DC LONG

for large sized interlocking roof tiles
requiring less than 10 pcs./sqm.



METAL 350

for metal roof covered with profiled
metal sheets of the module 350/20 mm.



METAL 400

for metal roof covered with profiled
metal sheets of the module 400/20 mm.



METAL VENECJA

for metal roof covered with profiled
metal sheets of the module VENECJA
350/35 mm.



METAL FINNERA

for metal roof covered with profiled
metal sheets of the module FINNERA
330/30 mm.



METAL JANOSIK

for metal roof covered with profiled
metal sheets of the module JANOSIK
380/35 mm.



METAL GERMANIA

for metal roof covered with profiled
metal sheets of the module GERMANIA
SIMETRIC 350/30 mm

STEP SET

Chimney step in a complete assembly set consisting of two **SUPPORT** adapters and one chimney **STEP**. The elements made of galvanized steel form a complete system for safe traffic on the roof slope of an angle of 15° to 60°. The product features anti-slip corrugations and a hand grip.



RAL: 8004; 8017; 8019;
9005; 7016; 8012; 3004



1 set (2 x STEP,
2 x SUPPORT)



50 sets

› Eurovent® STEP SET DB-DC – Ceramic roof tile

- 1 Eurovent® STEP DB-DC LONG
- 2 Eurovent® SUPPORT DB-DC LONG
- 3 Eurovent® HOME PRO
- 4 Eurovent® PUR
- 5 Additional batten
- 6 Thermal insulation
- 7 Roof tile



UNI
for flat roof coverings,
e.g. bituminous shingle.



METAL FLAT
for metal flat roofs coverings
finished on a standing seam.



DB-DC LONG
for large sized interlocking roof tiles
requiring less than 10 pcs./sqm.



METAL 350
for metal roof covered with profiled
metal sheets of the module 350/20 mm.



METAL VENECJA
for metal roof covered with profiled
metal sheets of the module VENECJA
350/35 mm.



METAL JANOSIK
for metal roof covered with profiled
metal sheets of the module JANOSIK
380/35 mm.



DB-DC SHORT
for interlocking roof tiles requiring over
10 pcs./sqm and beaver-tail roof tiles
laid in double-lap pattern.



METAL 400
for metal roof covered with profiled
metal sheets of the module 400/20 mm.



METAL FINNERA
for metal roof covered with profiled
metal sheets of the module FINNERA
330/30 mm.



METAL GERMANIA
for metal roof covered with profiled
metal sheets of the module GERMANIA
SIMETRIC 350/30 mm.

www.eurovent.de