

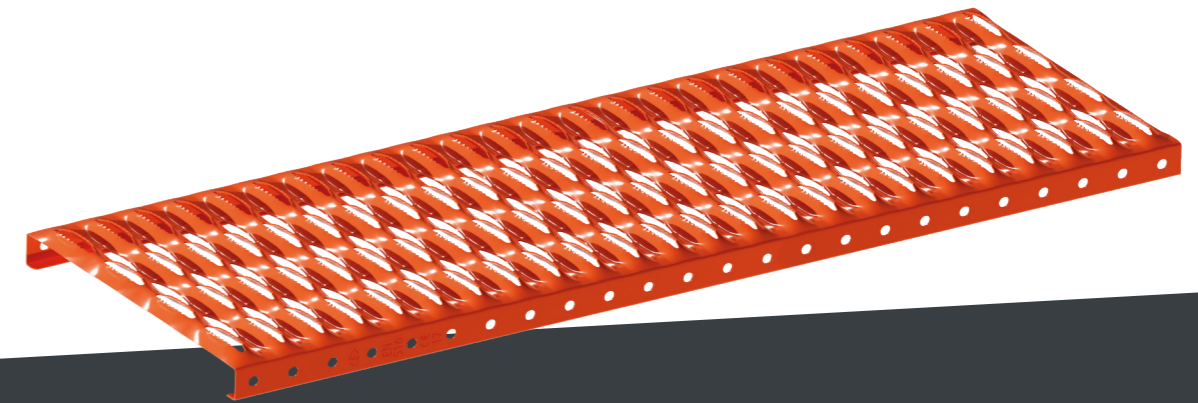
ROOF SAFETY

WE
DEVELOP
ROOFING
IDEAS



› Roof safety

The roof traffic system guarantees safe traffic in the roof area and enables easy chimney works. The offered brackets make the installation possible on every kind of roof covering.



PLATFORM

- Chimney bench manufactured from galvanized steel.
- Used as a roof communication element to enable safe foot traffic on the roof slope in the chimney area. The product features anti-slip corrugations.
- Mounted on the roof covering in conjunction with the GRIP bracket and the SUPPORT adapter.



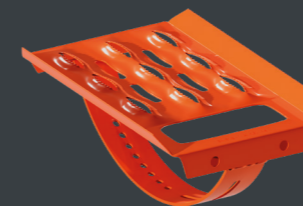
0,4 m; 0,6 m; 0,8 m;
1,0 m; 2,0 m; 3,0 m*



Galvanized; RAL: 8004;
8017; 8019; 9005; 6020;
7016; 8012; 3004; 7024



4 pcs.



STEP

- Chimney Step made from galvanized steel.
- Used as a roof communication element to enable safe foot traffic on the roof slope.
- Mounted on the roof covering in conjunction with the SUPPORT adapter.



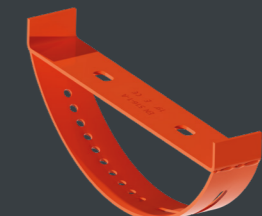
140 mm
x 256 mm



Galvanized; RAL: 8004; 8017; 8019;
9005; 6020; 7016; 8012; 3004; 7024



10 pcs.



GRIP

- Universal grip made from galvanized steel.
- An element that enables connecting a chimney bench with an adapter mounted directly on the roof covering.



Galvanized; RAL: 8004; 8017; 8019;
9005; 6020; 7016; 8012; 3004; 7024



10 pcs.



SUPPORT UNI

- One-piece adapter of a chimney bench bracket made from galvanized steel.
- An element that enables connecting a chimney bench bracket or a chimney step bracket on flat roof coverings.



Galvanized; RAL: 8004; 8017; 8019; 9005; 6020; 7016; 3009; 3004; 7024

10 pcs.



SUPPORT DB-DC WEST

- One-piece adapter made from galvanized steel with additional EPDM sealing.
- An element that enables connecting a chimney bench bracket or a chimney step bracket on roofs covered with cement or ceramic roof tiles.



Galvanized; RAL: 8004; 8017; 8019; 9005; 6020; 7016; 3009; 3004; 7024

10 pcs.



SUPPORT DB-DC SHORT

- One-piece adapter of a chimney bench made from galvanized steel with additional PUR sealing.
- An element that enables connecting a chimney bench bracket or a chimney step bracket on profiled roofs covered with cement or ceramic roof tiles.



Galvanized; RAL: 8004; 8017; 8019; 9005; 6020; 7016; 3009; 3004; 7024

10 pcs.



SUPPORT DB-DC LONG

- One-piece adapter of a chimney bench made from galvanized steel with additional PUR sealing.
- An element that enables connecting a chimney bench bracket or a chimney step bracket on profiled roofs covered with cement or ceramic roof tiles.



Galvanized; RAL: 8004; 8017; 8019; 9005; 6020; 7016; 3009; 3004; 7024

10 pcs.

› Eurovent® PLATFORM SET DB-DC – Ceramic roof tile

- 1 Eurovent® PLATFORM
- 2 Eurovent® GRIP
- 3 Eurovent® SUPPORT FB-DC LONG
- 4 Eurovent® SUPER
- 5 Eurovent® PUR
- 6 Thermal insulation
- 7 Roof tile



SUPPORT BIBER WEST

- One-piece adapter made from galvanized steel with an additional PUR sealing.
- An element that enables connecting a chimney bench bracket or a chimney step bracket on roofs covered with flat ceramic roof tiles, called as beaver-tiles



Galvanized; RAL: 8004; 8017; 8019; 9005; 6020; 7016; 8012; 3004; 7024

10 pcs.



SUPPORT METAL DECRA

- One-piece adapter of a chimney bench made from galvanized steel.
- An element that enables installation of a chimney bench or a step on the roofs covered with metal sheets of module DECRA 350/20 mm; DECRA 350/30 mm; DECRA 350/35 mm.



Ocynk; RAL: 8004; 8017; 8019; 9005; 6020; 7016; 8012; 3004; 7024

10 pcs.



SUPPORT METAL 350

- The adapter of a chimney bench bracket, made from galvanized steel.
- An element that enables installation of a chimney bench or a step on the roofs covered with profiled metal sheets of module 350/20 mm.



Galvanized; RAL: 8004; 8017; 8019; 9005; 6020; 7016; 8012; 3004; 7024

10 pcs.



SUPPORT METAL 400

- The adapter of a chimney bench bracket, made from galvanized steel.
- An element that enables installation of a chimney bench or a step on the roofs covered with profiled metal sheets of module 400/20 mm.



Galvanized; RAL: 8004; 8017; 8019; 9005; 6020; 7016; 8012; 3004; 7024

10 pcs.



SUPPORT METAL JANOSIK

- The adapter of a chimney bench bracket, made from galvanized steel.
- An element that enables installation of a chimney bench or a step on the roofs covered with profiled metal sheets of modules JANOSIK 380/35 mm. Blachotrapez JANOSIK.



Galvanized; RAL: 8004; 8017; 8019; 9005; 6020; 7016; 8012; 3004; 7024

10 pcs.



SUPPORT METAL GERMANIA

- The adapter of a chimney bench bracket, made from galvanized steel.
- An element that enables installation of a chimney bench or a step on the roofs covered with profiled metal sheets of modules GERMANIA SIMETRIC 350/30 mm.



Galvanized; RAL: 8004; 8017; 8019; 9005; 6020; 7016; 8012; 3004; 7024

10 pcs.



SUPPORT METAL VENECJA

- The adapter of a chimney bench bracket, made from galvanized steel.
- An element that enables installation of a chimney bench or a step on the roofs covered with profiled metal sheets of modules VENECJA 350/35 mm.



Galvanized; RAL: 8004; 8017; 8019; 9005; 6020; 7016; 8012; 3004; 7024

10 pcs.



SUPPORT METAL FINNERA

- The adapter of a chimney bench bracket, made from galvanized steel.
- An element that enables installation of a chimney bench or a step on the roofs covered with profiled metal sheets of modules FINNERA 330/30 mm.



Galvanized; RAL: 8004; 8017; 8019; 9005; 6020; 7016; 8012; 3004; 7024

10 pcs.



SUPPORT METAL FLAT

- Three-pieces adapter of a chimney bench bracket, made from galvanized steel.
- An element that enables installation of a chimney bench or a step on the roofs covered with a flat sheet, finished on a standing seam.



Galvanized; RAL: 8004; 8017; 8019; 9005; 6020; 7016; 8012; 3004; 7024

5 pcs.



LINK

- Roof platform link manufactured from galvanized steel.
- Used as a roof communication element which enables connecting chimney platforms into a row.
- Offered in a set with mounting screws.



180 mm Galvanized; RAL: 8004; 8017; 8019; 9005; 6020; 7016; 8012; 3004; 7024

10 pcs.



VISTA DUO

- Roof exit made of impregnated pine wood with combined double glass 15 mm thick, set in an aluminum profile.
- Equipped with two opening options.
- Suitable for non-insulated attics and roofs of an angle ranging from 15 to 60 degrees.



45 cm x 55 cm
45 cm x 73 cm
48 cm x 90 cm



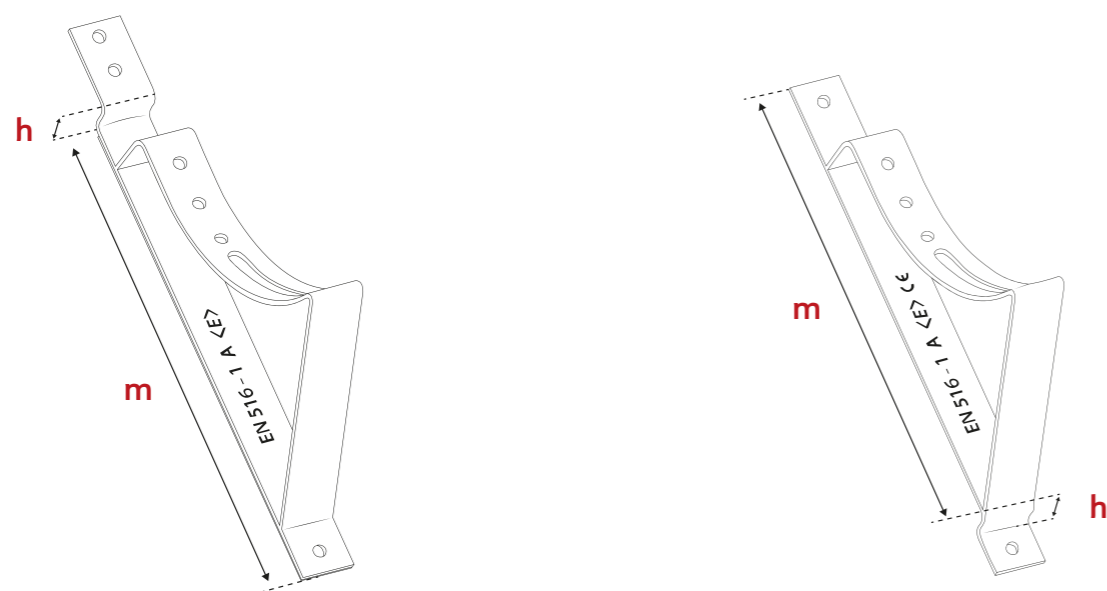
RAL: 7043



others: 11 pcs.
48 cm x 90 cm: 10 pcs.

EUROVENT® FIX METAL, EUROVENT® FIX TUBE METAL

- TECHNICAL DATA



Support	Module length „m” [mm]	Embossing height „h” [mm]
SUPPORT METAL 350	350	20
SUPPORT METAL 400	400	20
SUPPORT METAL FINNERA	330	30
SUPPORT METAL VENECJA	350	35
SUPPORT METAL DECRA	350	20 / 30 / 35
SUPPORT METAL JANOSIK	380	35
SUPPORT METAL GERMANIA	350	30

METAL ROOFS

- PRODUCERS LIST

Metal roof tiles types	Module	Producer	SUPPORT METAL
A Adamante	350	Ruukki	SUPPORT METAL VENECJA
Allano	350	Bratex	SUPPORT METAL VENECJA
Amalfi Plus	350	Blachdom Plus	SUPPORT METAL VENECJA
B Bella Sara	350	Budmat	SUPPORT METAL VENECJA
Bona Plus	350	Blachdom Plus	SUPPORT METAL 350
Bona Plus	400	Blachdom Plus	SUPPORT METAL 400
C Centro	350	Bratex	SUPPORT METAL VENECJA
D Diament Eco Plus	350	Blachotrapez	SUPPORT METAL 350
Diament Eco Plus	400	Blachotrapez	SUPPORT METAL 400
F Finezja Max	350	Florian	SUPPORT METAL VENECJA
Finnera	330	Ruukki	SUPPORT METAL FINNERA
Florina	400	Florian	SUPPORT METAL 400
Frigge	350	Ruukki	SUPPORT METAL VENECJA
G Germania Simetric	350	Blachotrapez	SUPPORT METAL GERMANIA
Gryf	350	Pruszyński	SUPPORT METAL VENECJA
I Imperia Plus	350	Blachdom Plus	SUPPORT METAL 350
Imperia Plus	400	Blachdom Plus	SUPPORT METAL 400
J Janosik	380	Blachotrapez	SUPPORT METAL JANOSIK
K Kinga	350	Florian	SUPPORT METAL 350
Kinga	400	Florian	SUPPORT METAL 400
Kingas	350	Blachotrapez	SUPPORT METAL 350
Kingas	400	Blachotrapez	SUPPORT METAL 400
Kingas 15	350	Blachotrapez	SUPPORT METAL 350
Kingas 15	400	Blachotrapez	SUPPORT METAL 400
Kingas Eco Plus	350	Blachotrapez	SUPPORT METAL 350
Klara	350	Florian	SUPPORT METAL 350
Korona Plus	350	Blachdom Plus	SUPPORT METAL 350
Korona Plus	400	Blachdom Plus	SUPPORT METAL 400
L Lidia Max	350	Florian	SUPPORT METAL VENECJA
Loara	350	Pruszyński	SUPPORT METAL VENECJA
M Maja Max	350	Florian	SUPPORT METAL VENECJA
Monterrey Feb Forma	350	Ruukki	SUPPORT METAL VENECJA
Murano	350	Budmat	SUPPORT METAL VENECJA
Mustang	350	Blachpol	SUPPORT METAL VENECJA
O Optima Arad	350	Pruszyński	SUPPORT METAL VENECJA

METAL ROOFS - PRODUCERS LIST

	Metal roof tiles types	Module	Producer	SUPPORT METAL
P	Perła Plus	350	Blachdom Plus	SUPPORT METAL 350
	Perła Plus	400	Blachdom Plus	SUPPORT METAL 400
	Platino	350	Bratex	SUPPORT METAL 350
R	Rialto	350	Budmat	SUPPORT METAL VENECJA
	Rozalia Max	350	Florian	SUPPORT METAL VENECJA
	Róża	350	Florian	SUPPORT METAL 350
	Róża	400	Florian	SUPPORT METAL 400
	Rubin Plus	350	Pruszyński	SUPPORT METAL 350
	Rubin Plus	400	Pruszyński	SUPPORT METAL 400
S	Sofia	350	Florian	SUPPORT METAL 350
	Sofia	400	Florian	SUPPORT METAL 400
	Szafir	350	Pruszyński	SUPPORT METAL 350
	Szafir	400	Pruszyński	SUPPORT METAL 400
T	Talia	350	Blachotrapez	SUPPORT METAL VENECJA
	Tamara Max	350	Florian	SUPPORT METAL VENECJA
	Twister	350	Blachodach	SUPPORT METAL 350
V	Vello	350	Bratex	SUPPORT METAL VENECJA
	Venecja	350	Budmat	SUPPORT METAL VENECJA



PLATFORM SET

Chimney platform in a complete assembly set consisting of two adapters SUPPORT, two GRIP adapters, mounting screws and a one chimney bench PLATFORM. The elements made of galvanized steel form a complete system for safe traffic on the roof slope with an angle of 15° to 60°.



0,4 m; 0,8 m



RAL: 8004; 8017; 8019;
9005; 7016; 8012; 3004



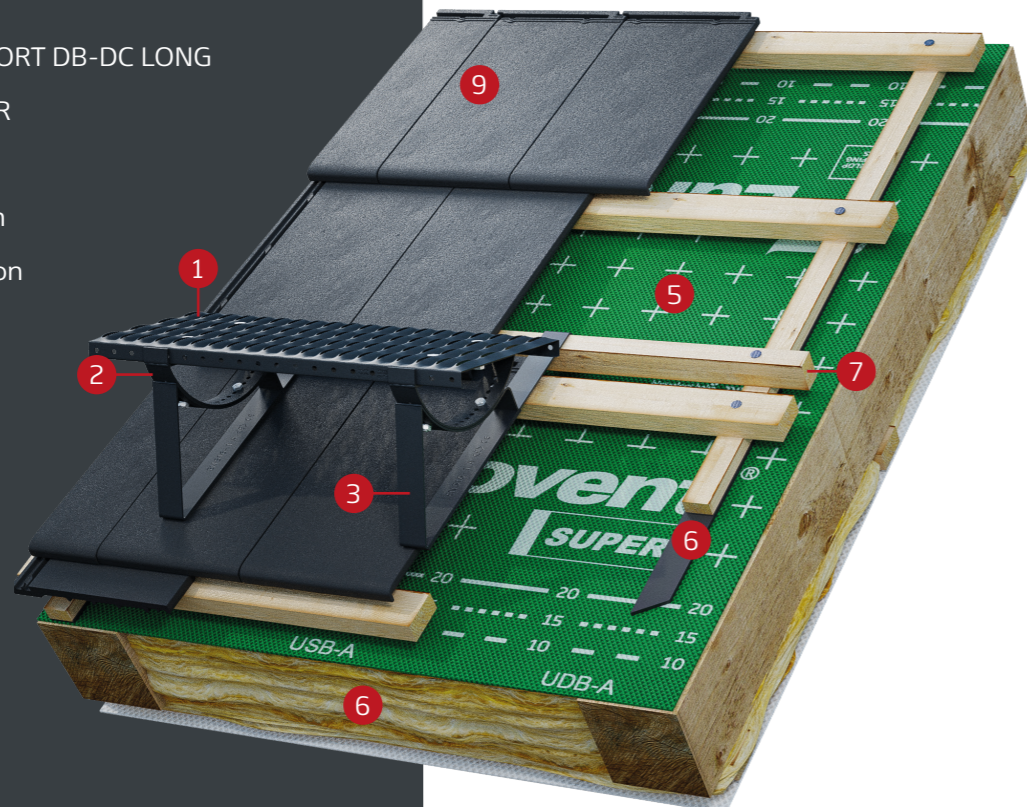
1 set (2 x SUPPORT,
2 x GRIP, 1 x PLATFORM)



0,4 m: 60 sets
0,8 m: 40 sets

› Eurovent® PLATFORM SET DB-DC – Ceramic roof tile

- 1 Eurovent® PLATFORM
- 3 Eurovent® GRIP
- 4 Eurovent® SUPPORT DB-DC LONG
- 5 Eurovent® SUPER
- 6 Eurovent® PUR
- 7 Additional batten
- 8 Thermal insulation
- 9 Roof tile



UNI

for flat roof coverings,
e.g. bituminous shingle.



METAL FLAT

for metal flat roofs coverings
finished on a standing seam.



DB-DC SHORT

for interlocking roof tiles requiring over
10 pcs./sqm and beaver-tail roof tiles
laid in double-lap pattern.



DB-DC LONG

for large sized interlocking roof tiles
requiring less than 10 pcs./sqm.



METAL 350

for metal roof covered with profiled
metal sheets of the module 350/20 mm.



METAL 400

for metal roof covered with profiled
metal sheets of the module 400/20 mm.



METAL VENECJA

for metal roof covered with profiled
metal sheets of the module VENECJA
350/35 mm.



METAL FINNERA

for metal roof covered with profiled
metal sheets of the module FINNERA
330/30 mm.



METAL JANOSIK

for metal roof covered with profiled
metal sheets of the module JANOSIK
380/35 mm.



METAL GERMANIA

for metal roof covered with profiled
metal sheets of the module GERMANIA
SIMETRIC 350/30 mm

STEP SET

Chimney step in a complete assembly set consisting of two **SUPPORT** adapters and one chimney **STEP**. The elements made of galvanized steel form a complete system for safe traffic on the roof slope of an angle of 15° to 60°. The product features anti-slip corrugations and a hand grip.



RAL: 8004; 8017; 8019;
9005; 7016; 8012; 3004



1 set (2 x STEP,
2 x SUPPORT)



50 sets



UNI
for flat roof coverings,
e.g. bituminous shingle.



METAL FLAT
for metal flat roofs coverings
finished on a standing seam.



DB-DC LONG
for large sized interlocking roof tiles
requiring less than 10 pcs./sqm.



METAL 350
for metal roof covered with profiled
metal sheets of the module 350/20 mm.



METAL VENECJA
for metal roof covered with profiled
metal sheets of the module VENECJA
350/35 mm.



METAL JANOSIK
for metal roof covered with profiled
metal sheets of the module JANOSIK
380/35 mm.



DB-DC SHORT
for interlocking roof tiles requiring over
10 pcs./sqm and beaver-tail roof tiles
laid in double-lap pattern.



METAL 400
for metal roof covered with profiled
metal sheets of the module 400/20 mm.



METAL FINNERA
for metal roof covered with profiled
metal sheets of the module FINNERA
330/30 mm.



METAL GERMANIA
for metal roof covered with profiled
metal sheets of the module GERMANIA
SIMETRIC 350/30 mm.

› Eurovent® STEP SET DB-DC – Ceramic roof tile

- 1 Eurovent® STEP DB-DC LONG
- 2 Eurovent® SUPPORT DB-DC LONG
- 3 Eurovent® HOME PRO
- 4 Eurovent® PUR
- 5 Additional batten
- 6 Thermal insulation
- 7 Roof tile



www.eurovent.de